

# SITE PLAN EMERALD HILLS ESTATES

LOT 20

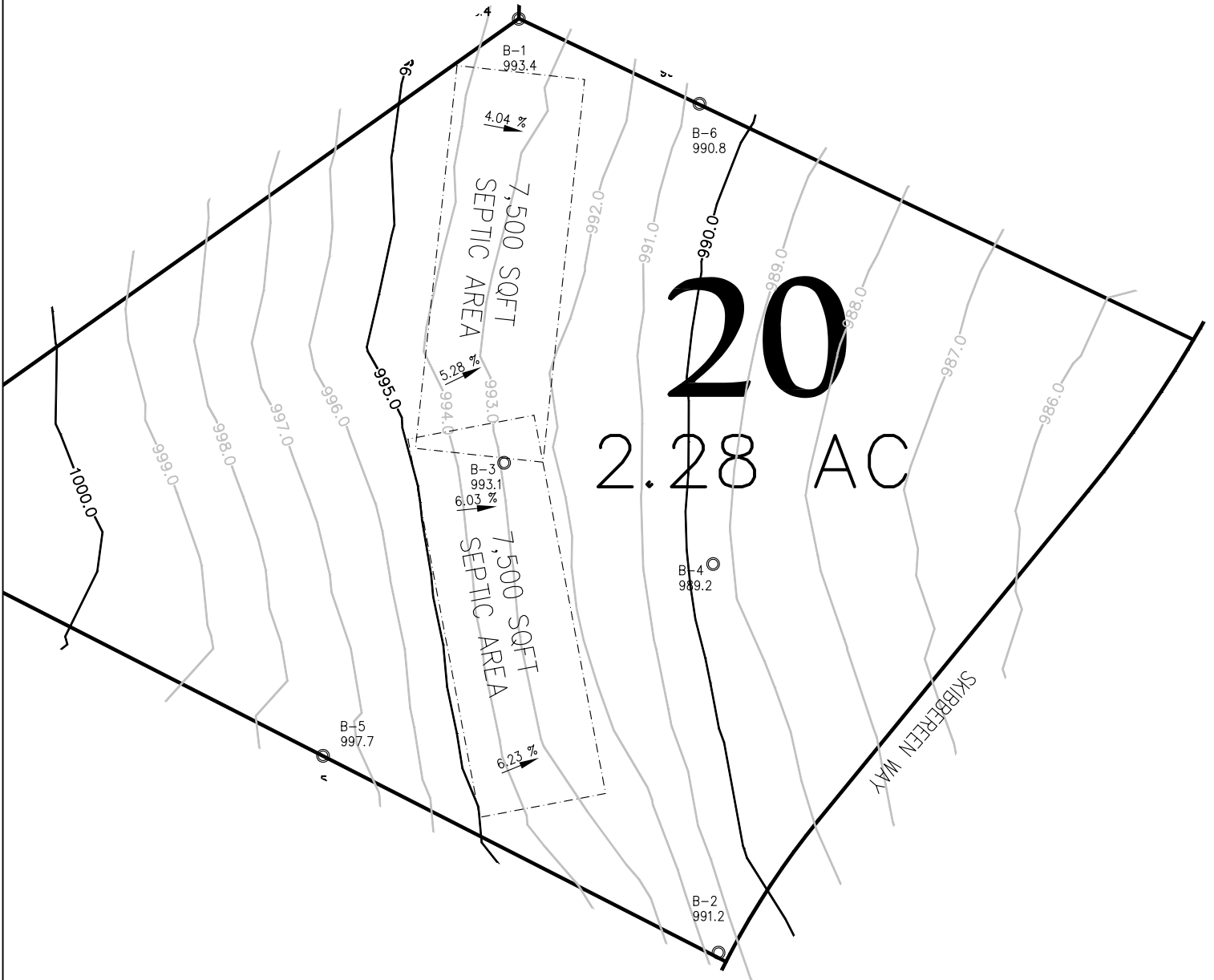
SECTION 30 T. 9 N., R. 18 E.  
TOWN OF ERIN, WASHINGTON COUNTY

PREPARED FOR:  
TIM OSTERBERG  
4200 STEEPLEVIEW COURT  
HUBERTUS, WI 53003

PREPARED BY:  
BAUDHUIN INCORPORATED  
332 PENNSYLVANIA  
STURGEON BAY, WI 54235



\*\*BENCHMARKS TO BE SET  
AFTER ROAD CONSTRUCTION  
IS COMPLETE



SOIL EVALUATION  
LOT 20

**EMERALD HILLS  
ESTATES**

**Baudhuin**  
Incorporated  
engineers • surveyors • soil scientists

P.O. BOX 105  
55 S. 3RD AVENUE  
STURGEON BAY, WI 54235  
FAX: 920-743-8217  
PHONE: 1-800-773-8211  
PHONE: 920-743-8211

REUSE OF DOCUMENTS  
THIS DOCUMENT HAS BEEN DEVELOPED FOR A SPECIFIC APPLICATION AND  
NOT FOR GENERAL USE. THEREFORE IT MAY NOT BE USED WITHOUT THE  
WRITTEN APPROVAL OF BAUDHUIN INCORPORATED. UNAPPROVED USE IS  
THE SOLE RESPONSIBILITY OF THE UNAUTHORIZED USER.  
DATE OF DRAWING:  
Y/DVB/LDWG/OSTERBERG18963/963-SOIL

DATE:  
4-28-04  
DESIGNED BY:  
DBL  
DRAWN BY:  
DBL